

B

Basic Pump



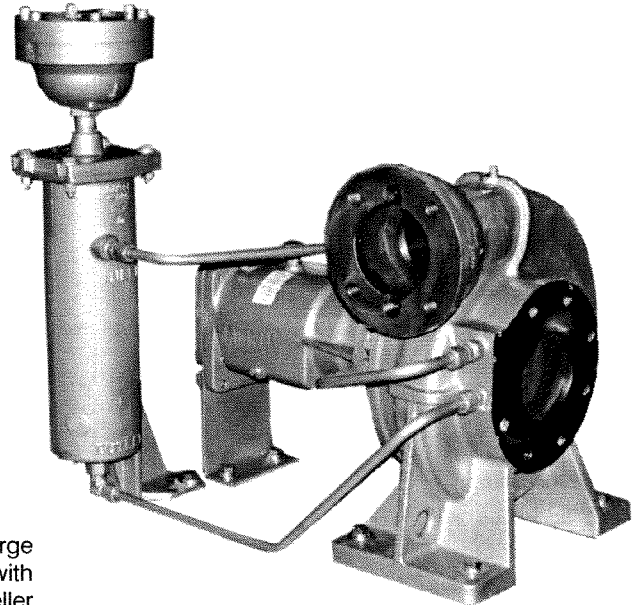
Self Priming Centrifugal Pump

Models RD3A31 – BAR and RD3A32 – BAR

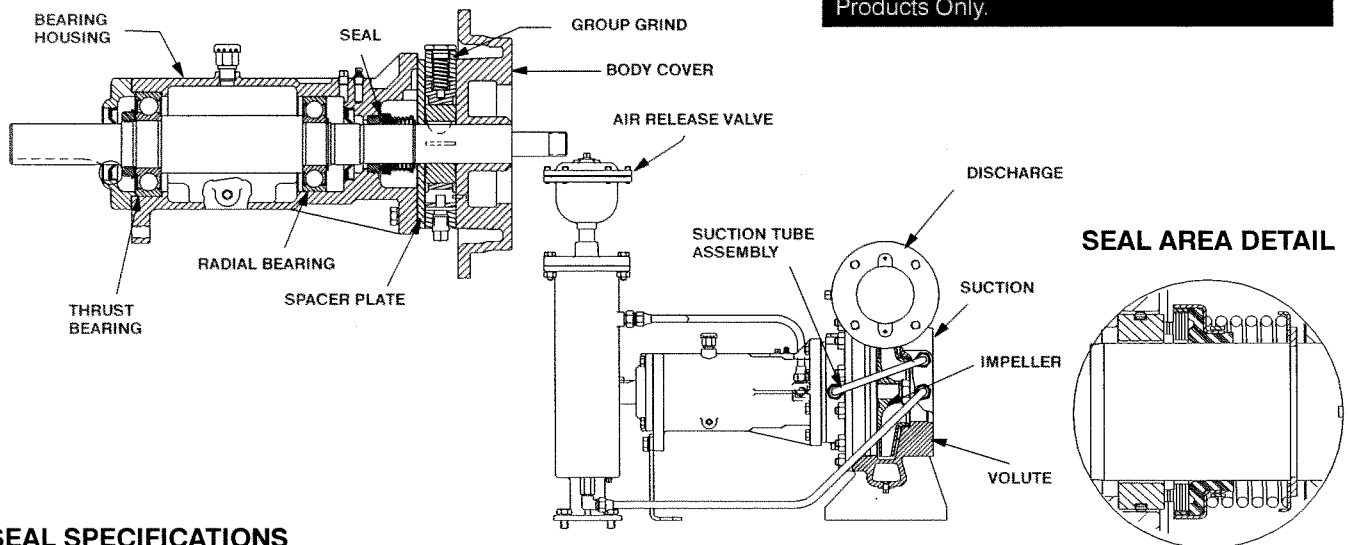
Size 4" x 3"

PUMP SPECIFICATIONS

Size: 4" x 3" (102 mm x 76 mm) Flanged.
 Casing: (RD3A31-BAR) Ductile Iron No. 65-45-12.
 (RD3A32-BAR) Cast Steel 70-36.
 Maximum Operating Pressure 127 PSI (876 kPa).*
 Enclosed Type, Five Vane Impeller: Aluminum 356-T6.
 Handles 3/8" (9,5 mm) Diameter Spherical Solids.
 Impeller Shaft: Steel No.1045.
 Rotor: Copper Alloy C93400.
 Bearing Housing: Ductile Iron No. 65-45-12.
 Bearing Housing Lubrication: Grease.
 Body Cover: (RD3A31-BAR) Ductile Iron No. 65-45-12.
 (RD3A32-BAR) Cast Steel 70-36.
 Center/Spacer Plate: (RD3A31-BAR) Ductile Iron No. 65-45-12.
 (RD3A32-BAR) Cast Steel 70-36.
 Radial Bearing: Permanently Sealed Single Row Ball Type.
 Thrust Bearing: Permanently Sealed Single Row Ball Type.
 Gaskets: Vegetable Fiber, PTFE and Cork.
 Priming: Rotary Vane Type Priming Pump.
 Air Release Valve : Cast Iron/Stainless Steel.
 Optional Equipment: Cast Steel 70-36 Threaded Suction and Discharge Companion Flange Kit, Copper Alloy C93400 Impeller, Group Grind with Cast Iron Rotor (RD3A31-BAR Only); Stainless Steel No. 416 Impeller Shaft, , Buna-N Seal, PTFE Seal with Fluorocarbon O-Ring, PTFE Seal with Buna-N O-Ring, Oil Filled Bearing Housing Assembly.
 *Consult Factory for Applications Exceeding Maximum Pressure and/or Temperature Indicated.



CAUTION
 This Is Not A Water Pump. Use For Petroleum Products Only.



SEAL SPECIFICATIONS

Seal: Mechanical; Self-Lubricated. Fluorocarbon Elastomers (DuPont Viton® or Equivalent). Carbon Rotating Face; Ni-Resist Stationary Face; Maximum Temperature of Liquid Pumped is 160°F (71°C).*



THE GORMAN-RUPP COMPANY • MANSFIELD, OHIO

GORMAN-RUPP OF CANADA LIMITED • ST. THOMAS, ONTARIO, CANADA

www.grpumps.com

Specifications Subject to Change Without Notice

Printed in U.S.A.

Specification Data

OVERALL DIMENSIONS
and
APPROXIMATE WEIGHTS

NET WEIGHT:

RD3A31-BAR

292 LBS. (132,4 KG.)

RD3A32-BAR

295 LBS. (133,8 KG.)

SHIPPING WEIGHT:

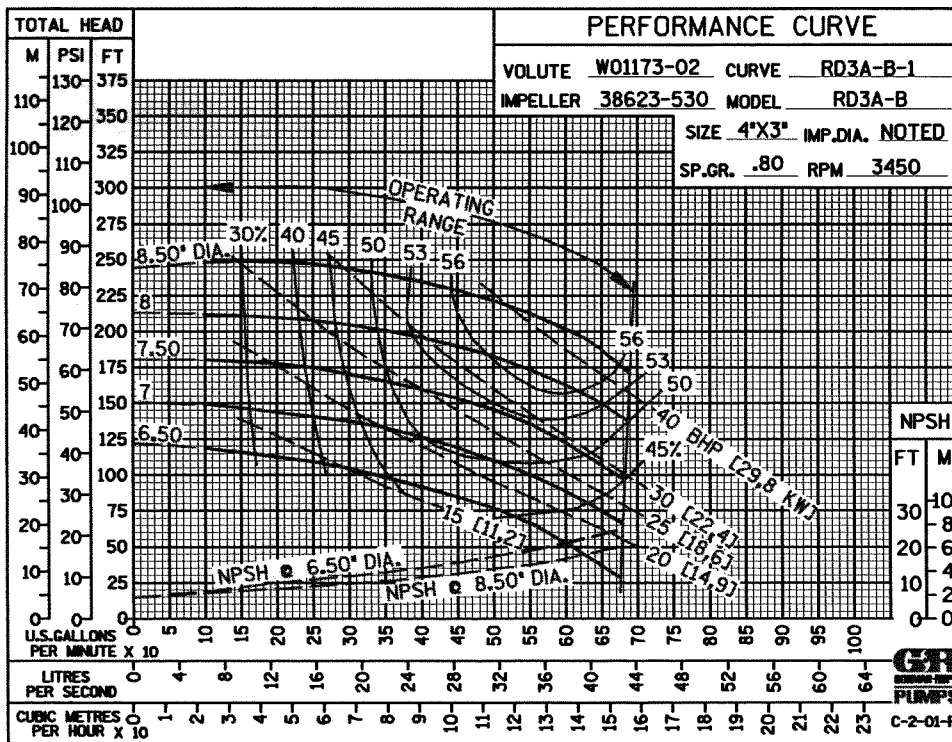
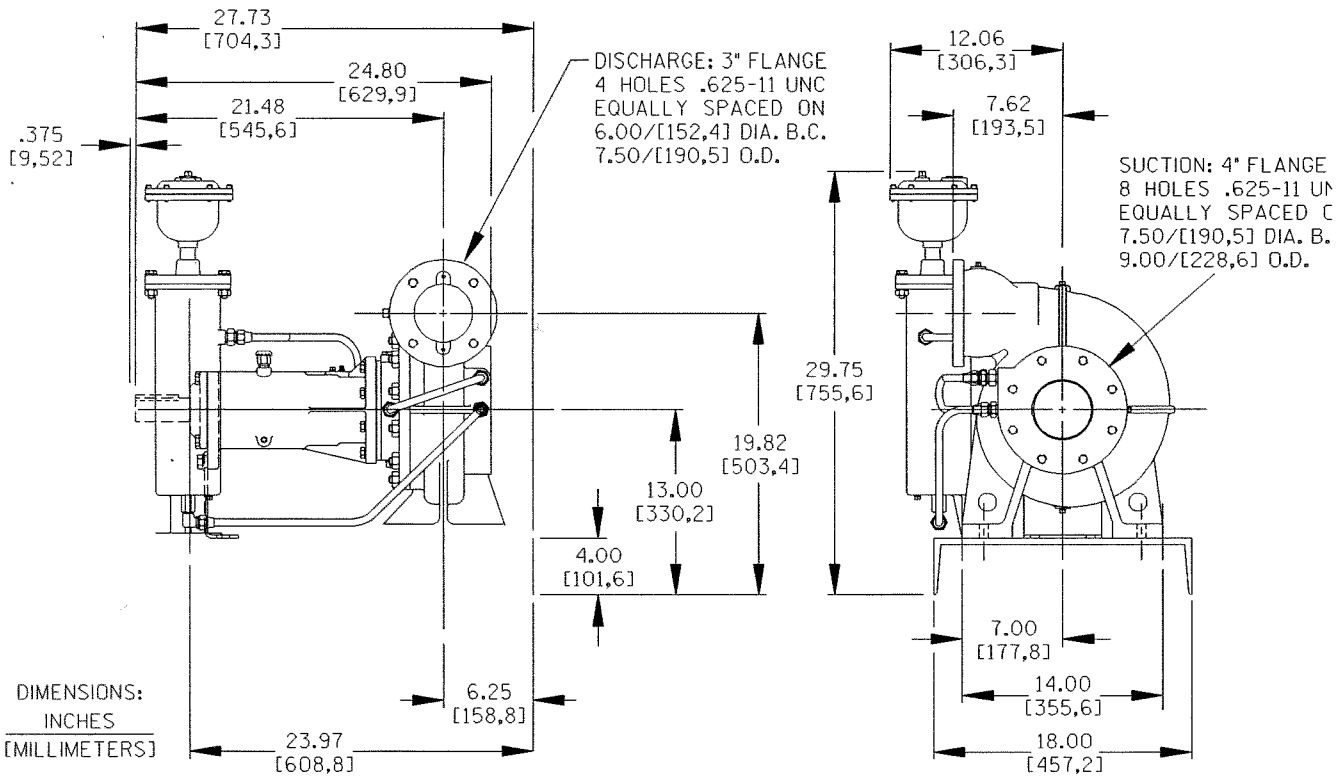
312 LBS. (141,5 KG.)

308 LBS. (139,7 KG.)

EXPORT CRATE SIZE:

17.9 CU. FT. (0,51 CU. M.)

SECTION 35, PAGE 410



THE GORMAN-RUPP COMPANY • MANSFIELD, OHIO

GORMAN-RUPP OF CANADA LIMITED • ST. THOMAS, ONTARIO, CANADA

Specifications Subject to Change Without Notice

Printed in U.S.A.

