

B

Basic Pump



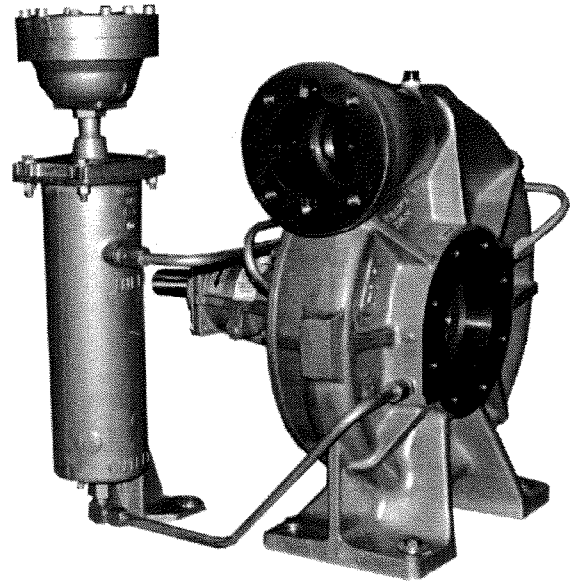
Self Priming Centrifugal Pump

Model RS3A31 – BAR and RS3A32 – BAR

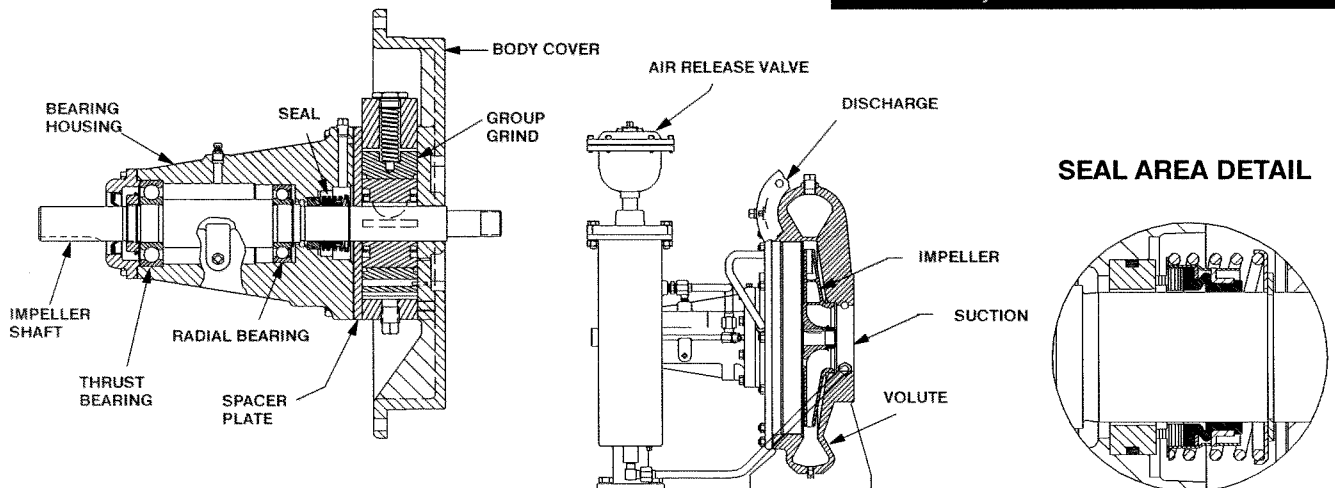
Size 4" x 3"

PUMP SPECIFICATIONS

Size: 4" x 3" (102 mm x 76 mm) Flanged.
 Casing: (RS3A31-BAR) Ductile Iron No. 65-45-12.
 (RS3A32-BAR) Cast Steel 70-36.
 Maximum Operating Pressure 71 PSI (490 kPa).*
 Enclosed Type, Five Vane Impeller: Aluminum 356-T6.
 Handles 3/8" (9,5 mm) Diameter Spherical Solids.
 Impeller Shaft: Steel No. 1045.
 Rotor: Copper Alloy C93400.
 Bearing Housing: Ductile Iron No. 65-45-12.
 Bearing Housing Lubrication: Grease.
 Body Cover: (RS3A31-BAR) Ductile Iron No. 65-45-12 .
 (RS3A32-BAR) Cast Steel 70-36.
 Center/Spacer Plate: (RS3A31-BAR) Ductile Iron No. 65-45-12.
 (RS3A32-BAR) Cast Steel 70-36.
 Radial Bearing: Permanently Sealed Single Row Ball Type.
 Thrust Bearing: Permanently Sealed Single Row Ball Type.
 Gaskets: Vegetable Fiber, PTFE and Cork.
 Priming: Rotary Vane Type Priming Pump.
 Air Release Valve : Cast Iron/Stainless Steel.
 Optional Equipment: Cast Steel 70-36 Threaded Suction and Discharge Companion Flange Kit, Copper Alloy C93700 Impeller, Group Grind with Cast Iron Rotor (RS3A31-BAR Only), Stainless Steel No. 416 Impeller Shaft, Buna-N Seal, PTFE Seal with Fluorocarbon O-Ring, PTFE Seal with Buna-N O-Ring, Oil Filled Bearing Housing Assembly.
 *Consult Factory for Applications Exceeding Maximum Pressure and/or Temperature Indicated.



CAUTION
 This Is Not A Water Pump. Use For Petroleum Products Only.



SEAL SPECIFICATIONS

Seal: Mechanical; Self-Lubricated. Fluorocarbon Elastomers (DuPont Viton[®] or Equivalent). Carbon Rotating Face; Ni-Resist Stationary Face; Maximum Temperature of Liquid Pumped is 160°F (71°C).*



THE GORMAN-RUPP COMPANY • MANSFIELD, OHIO

GORMAN-RUPP OF CANADA LIMITED • ST. THOMAS, ONTARIO, CANADA

www.grpumps.com

Specifications Subject to Change Without Notice

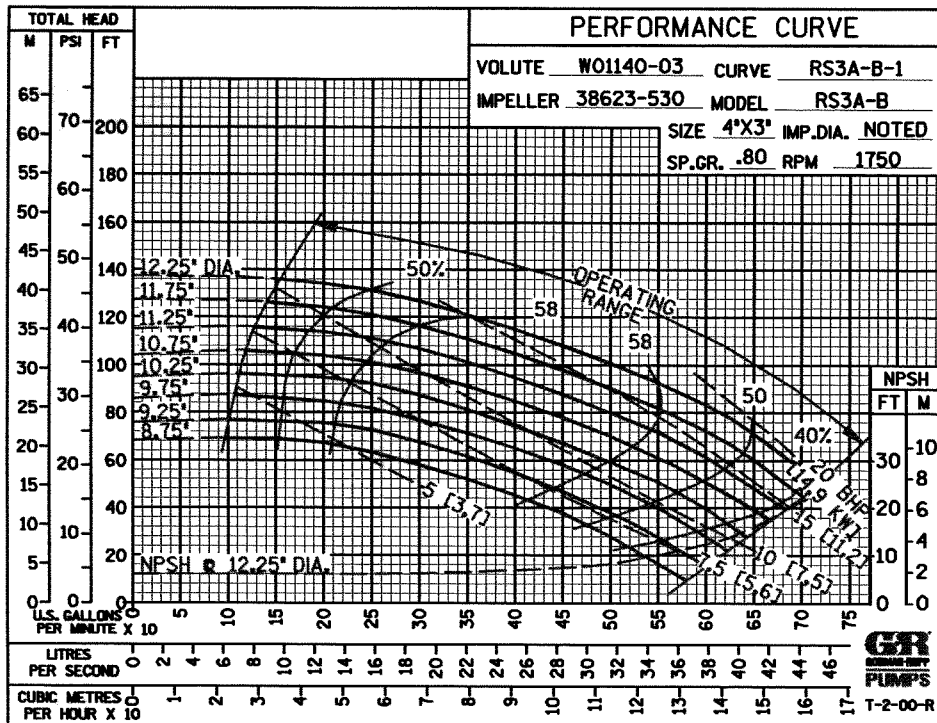
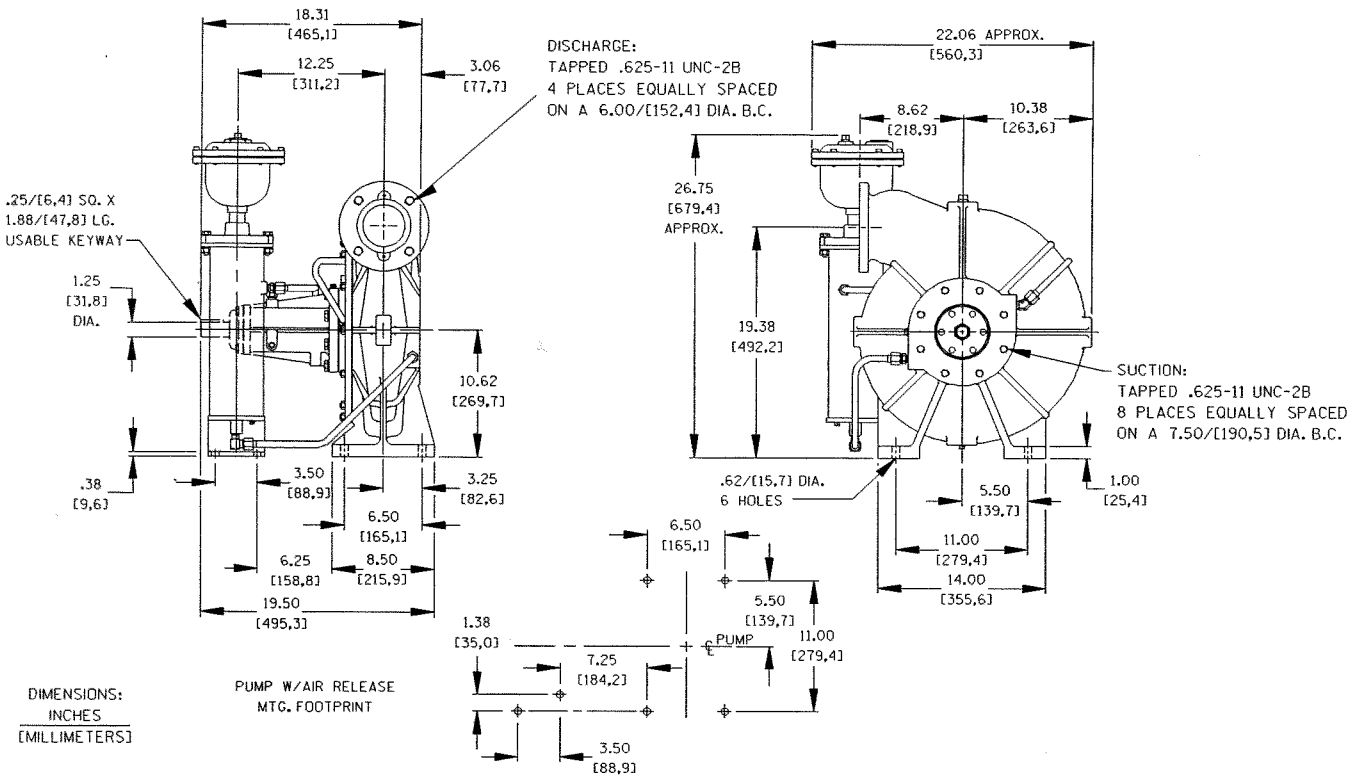
Printed in U.S.A.

Specification Data

SECTION 35, PAGE 310

OVERALL DIMENSIONS
and
APPROXIMATE WEIGHTS

RS3A31-BAR **RS3A32-BAR**
PUMP NET WEIGHT: 292 LBS. (132,4 KG.) 300 LBS. (136 KG.)
SHIPPING NET WEIGHT: 307 LBS. (139,3 KG.) 320 LBS. (145,1 KG.)
EXPORT CRATE SIZE: 17.9 CU. FT. (0,51CU. M.)



THE GORMAN-RUPP COMPANY • MANSFIELD, OHIO

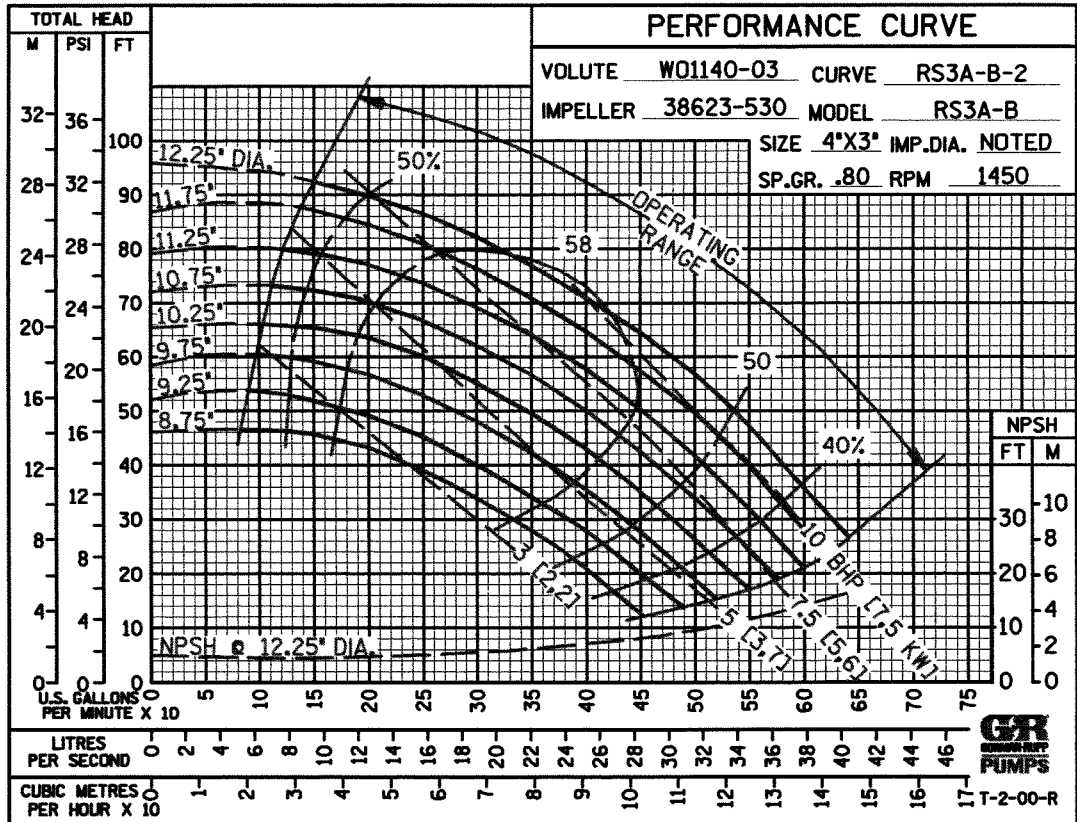
GORMAN-RUPP OF CANADA LIMITED • ST. THOMAS, ONTARIO, CANADA

Specifications Subject to Change Without Notice

Printed in U.S.A.

B

50 HERTZ



THE GORMAN-RUPP COMPANY • MANSFIELD, OHIO

GORMAN-RUPP OF CANADA LIMITED • ST. THOMAS, ONTARIO, CANADA

Specifications Subject to Change Without Notice

Printed in U.S.A.