

B

Basic Pump



Self Priming Centrifugal Pump

Model RD2A31 – BAR

Size 3" x 2"

**PUMP SPECIFICATIONS**

Size: 3" x 2" (76 mm x 51 mm) Flanged.

Casing: Ductile Iron No. 65-45-12.

Maximum Operating Pressure 144 psi (993 kPa).\*

Enclosed Type, Four Vane Impeller: Aluminum 356-T6.

Handles 1/4" (6,4 mm) Diameter Spherical Solids.

Impeller Shaft: Steel No.1045.

Rotor: Copper Alloy C93200.

Bearing Housing: Ductile Iron No. 65-45-12.

Bearing Lubrication: Grease.

Body Cover: Ductile Iron No. 65-45-12.

Center/Spacer Plate: Ductile Iron No. 65-45-12.

Radial Bearing: Permanently Sealed Single Row Ball Type.

Thrust Bearing: Permanently Sealed Single Row Ball Type.

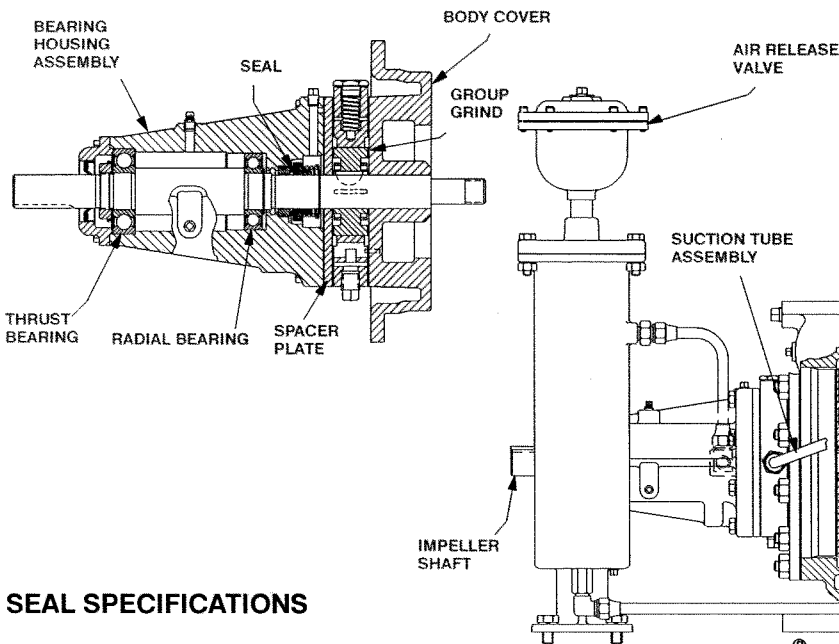
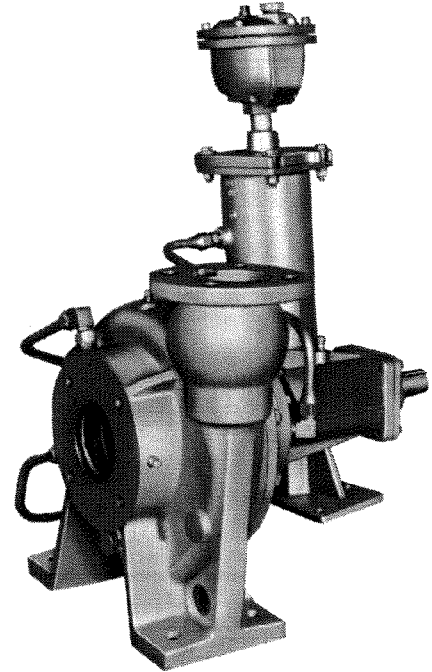
Gaskets: Vegetable Fiber, PTFE and Cork.

Priming: Rotary Vane Type Priming Pump.

Air Release Valve : Cast Iron/Stainless Steel.

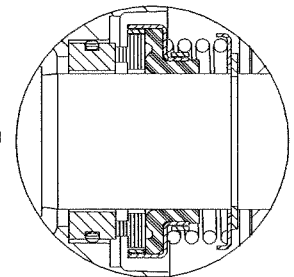
Optional Equipment: Cast Steel 70-36 Threaded Suction and Discharge Companion Flange Kit, Copper Alloy C93700 Impeller, Group Grind with Cast Iron Rotor; Stainless Steel No. 416 Impeller Shaft; Buna-N Seal, PTFE Seal with Fluorocarbon O-Ring, PTFE Seal with Buna-N O-Ring, Oil Filled Bearing Housing Assembly.

\*Consult Factory for Applications Exceeding Maximum Pressure and/or Temperature Indicated.



**CAUTION**  
This Is Not A Water Pump. Use For Petroleum Products Only.

**SEAL AREA DETAIL**



**SEAL SPECIFICATIONS**

Seal: Mechanical; Self-Lubricated. Fluorocarbon Elastomers (DuPont Viton<sup>®</sup> or Equivalent). Carbon Rotating Face; Ni-Resist Stationary Face; Maximum Temperature of Liquid Pumped is 160°F (71°C).\*



THE GORMAN-RUPP COMPANY • MANSFIELD, OHIO

GORMAN-RUPP OF CANADA LIMITED • ST. THOMAS, ONTARIO, CANADA

www.grpumps.com

Specifications Subject to Change Without Notice

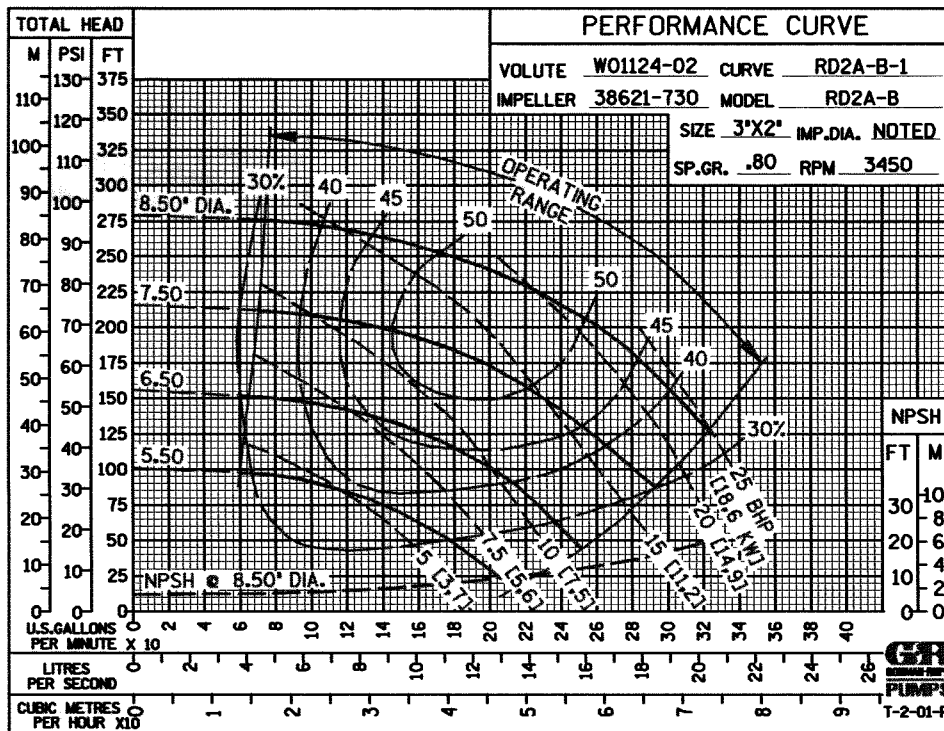
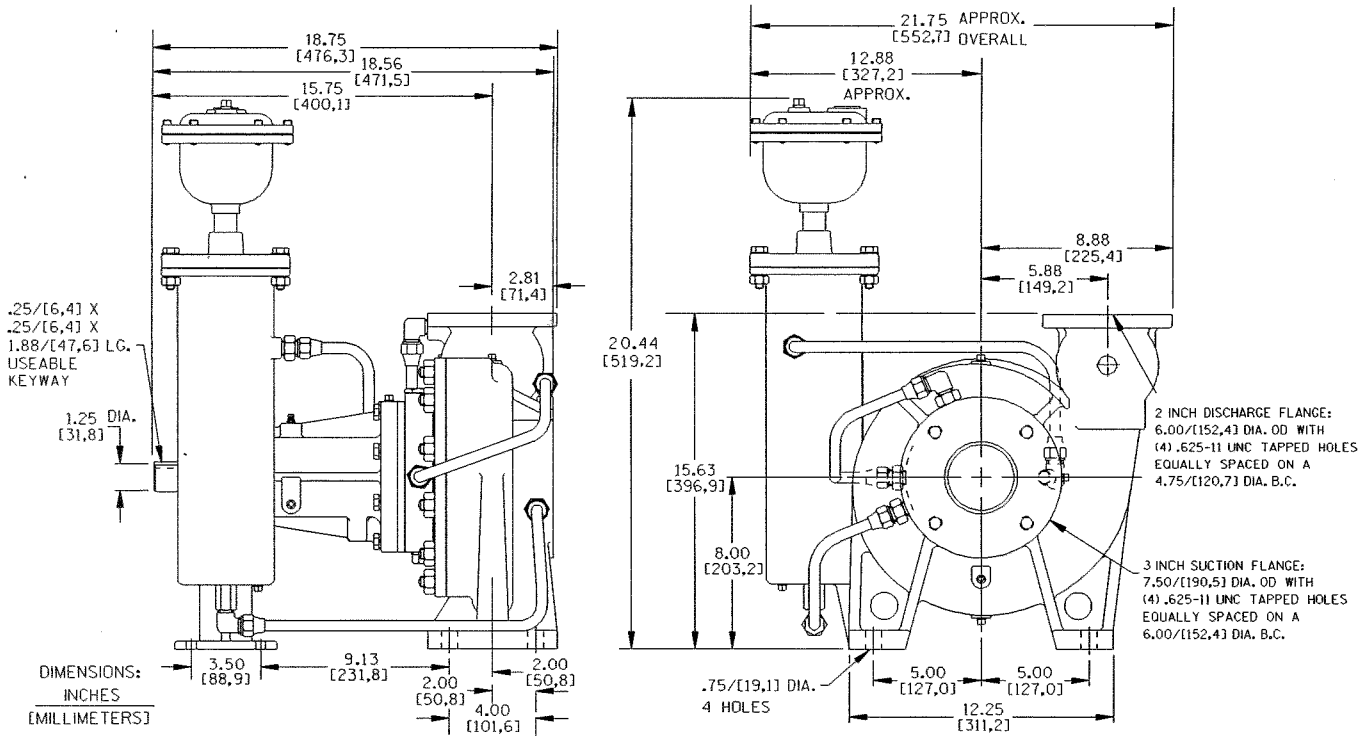
Printed in U.S.A.

**Specification Data**

SECTION 35, PAGE 210

OVERALL DIMENSIONS  
and  
APPROXIMATE WEIGHTS

**PUMP NET WEIGHT:** 215 LBS. (97,5 KG.)  
**SHIPPING WEIGHT:** 225 LBS. (102,1 KG.)  
**EXPORT CRATE SIZE:** 17.9 CU. FT. (0,51CU. M.)



THE GORMAN-RUPP COMPANY • MANSFIELD, OHIO

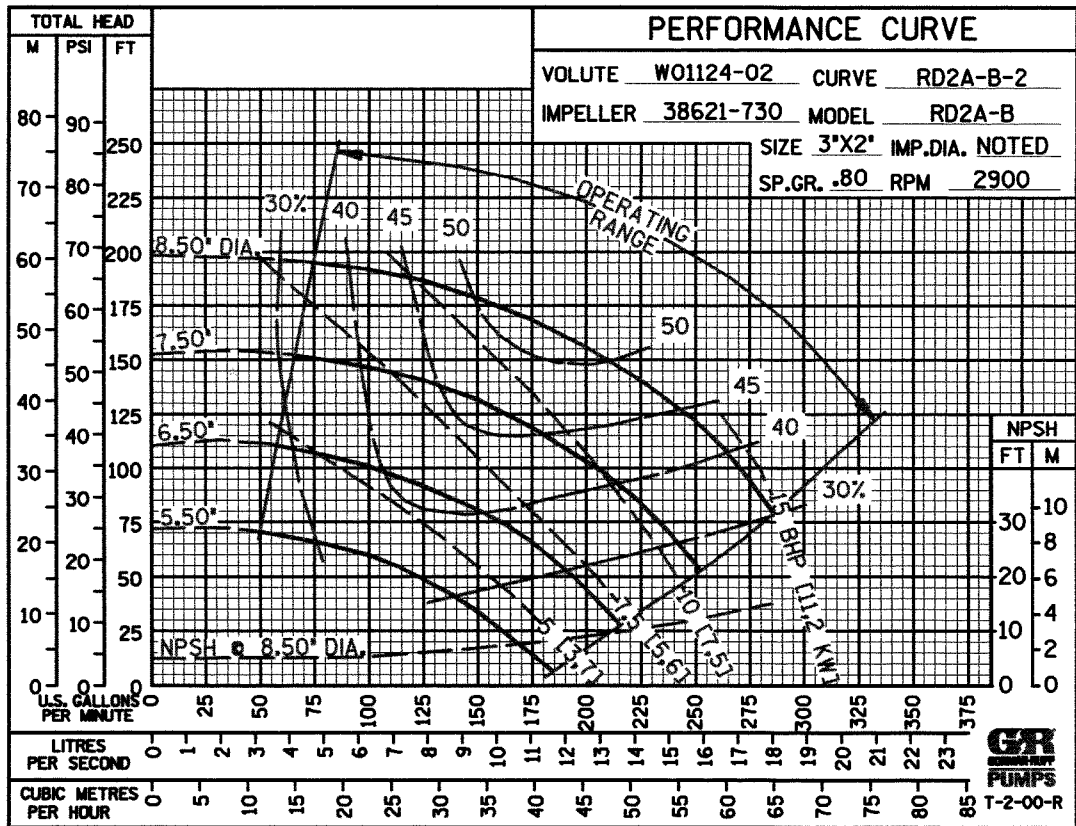
GORMAN-RUPP OF CANADA LIMITED • ST. THOMAS, ONTARIO, CANADA

Specifications Subject to Change Without Notice

Printed in U.S.A.

B

50 HERTZ



THE GORMAN-RUPP COMPANY • MANSFIELD, OHIO

GORMAN-RUPP OF CANADA LIMITED • ST. THOMAS, ONTARIO, CANADA

Specifications Subject to Change Without Notice

Printed in U.S.A.