

B

Basic Pump

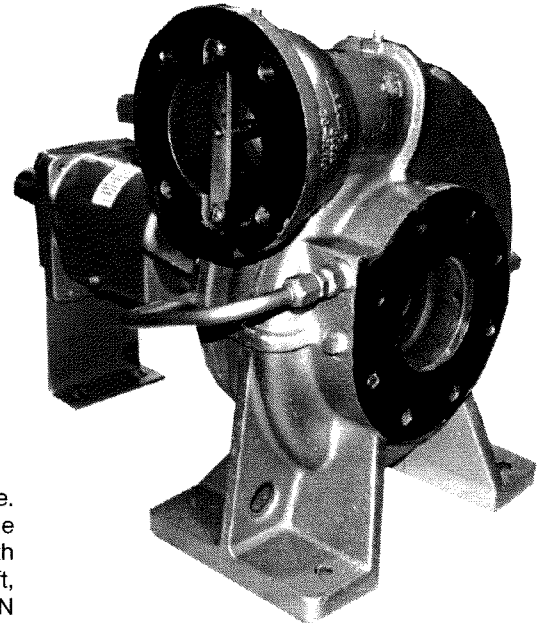


Self Priming Centrifugal Pump
Models RD3A31 – B and RD3A32 – B
Size 4" x 3"

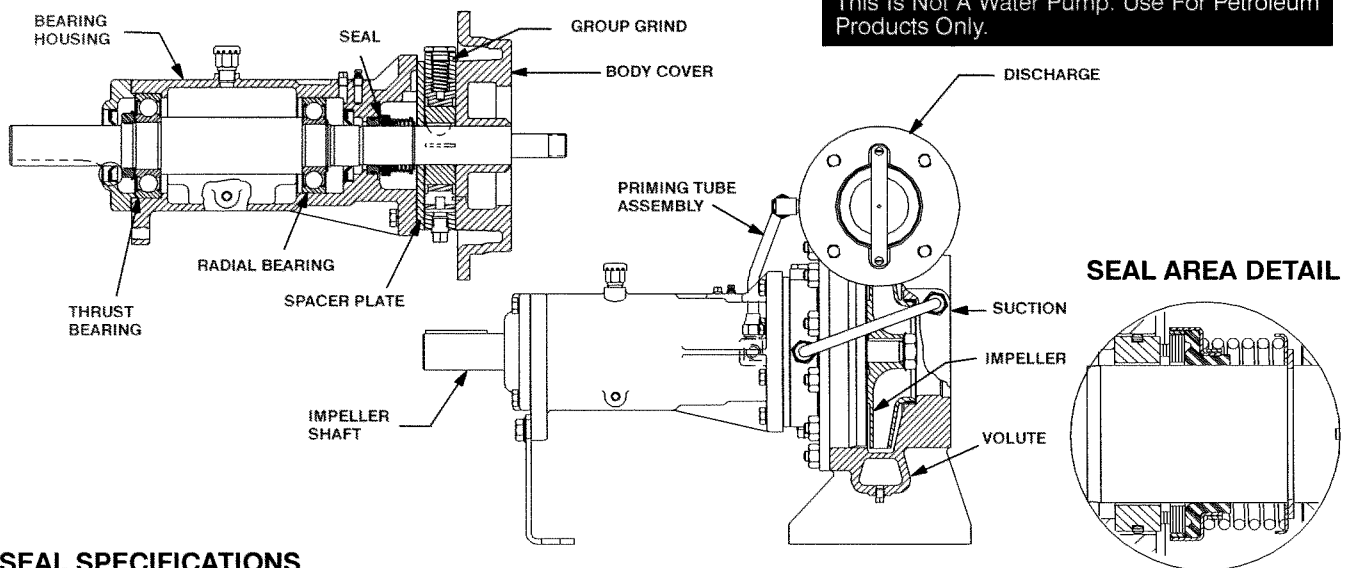
PUMP SPECIFICATIONS

Size: 4" x 3" (102 mm x 76 mm) Flanged.
 Casing: (RD3A31-B) Ductile Iron No. 65-45-12.
 (RD3A32-B) Cast Steel 70-36.
 Maximum Operating Pressure 127 PSI (876 kPa).
 Enclosed Type, Five Vane Impeller: Aluminum 356-T6.
 Handles 3/8" (9,5 mm) Diameter Spherical Solids.
 Impeller Shaft: Steel No.1045.
 Rotor: Copper Alloy C93400.
 Bearing Housing: Ductile Iron No. 65-45-12.
 Bearing Housing Lubrication: Grease.
 Body Cover: (RD3A31-B) Ductile Iron No. 65-45-12.
 (RD3A32-B) Cast Steel 70-36.
 Center/Spacer Plate: (RD3A31-B) Ductile Iron No. 65-45-12.
 (RD3A32-B) Cast Steel 70-36.
 Radial Bearing: Permanently Sealed Single Row Ball Type.
 Thrust Bearing: Permanently Sealed Single Row Ball Type.
 Gaskets: Vegetable Fiber, PTFE and Cork.
 Priming: Rotary Vane Type with Built-in Spring-Loaded Priming Assist Valve.
 Optional Equipment: Cast Steel 70-36 Threaded Suction and Discharge Companion Flange Kit, Copper Alloy C93400 Impeller, Group Grind with Cast Iron Rotor (RD3A31-B Only); Stainless Steel No. 416 Impeller Shaft, Buna-N Seal, PTFE Seal with Fluorocarbon O-Ring, PTFE Seal with Buna-N O-Ring, Oil Filled Bearing Housing Assembly.

*Consult Factory for Applications Exceeding Maximum Pressure and/or Temperature Indicated.



CAUTION
 This Is Not A Water Pump. Use For Petroleum Products Only.



SEAL SPECIFICATIONS

Seal: Mechanical; Self-Lubricated. Fluorocarbon Elastomers (DuPont Viton[®] or Equivalent). Carbon Rotating Face; Ni-Resist Stationary Face; Maximum Temperature of Liquid Pumped is 160°F (71°C).*



THE GORMAN-RUPP COMPANY • MANSFIELD, OHIO
 GORMAN-RUPP OF CANADA LIMITED • ST. THOMAS, ONTARIO, CANADA

www.grpumps.com

Specifications Subject to Change Without Notice

Printed in U.S.A.

Specification Data

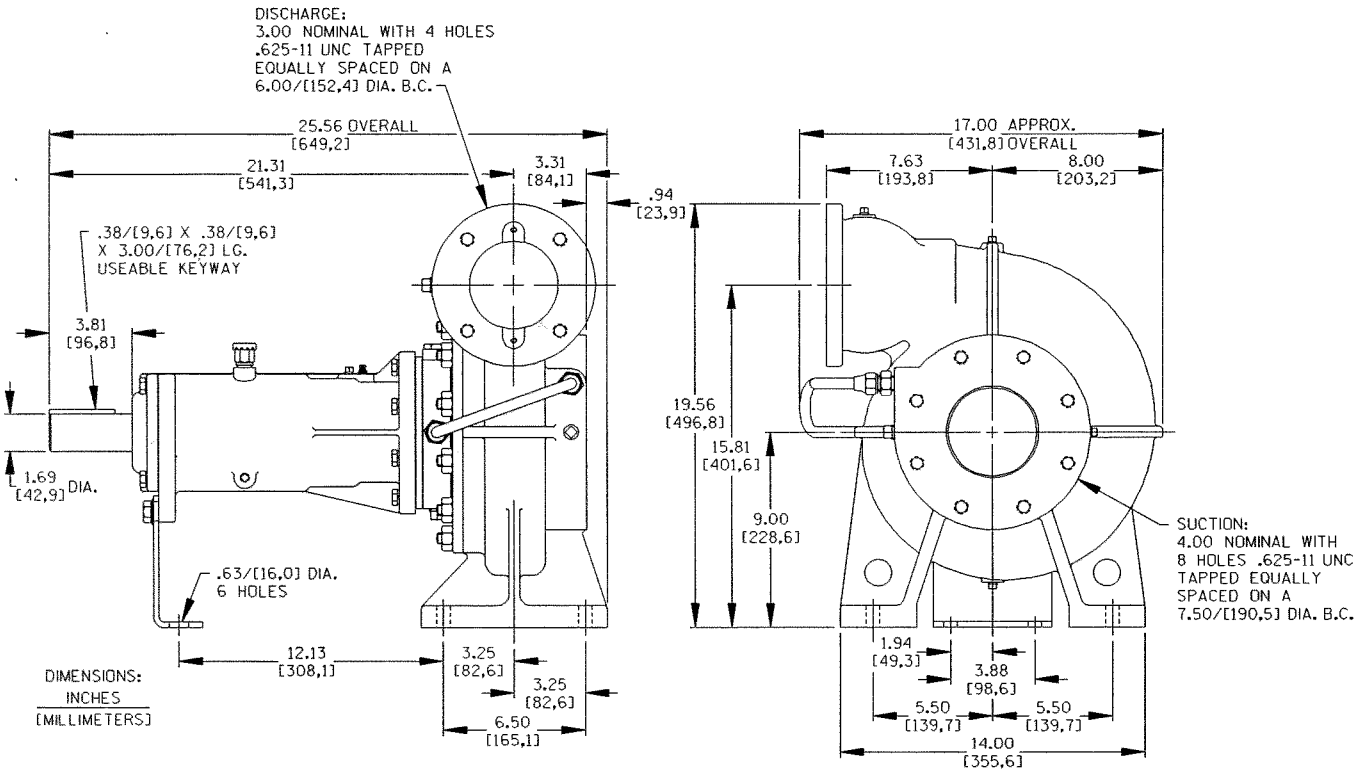
SECTION 35, PAGE 400

OVERALL DIMENSIONS
and
APPROXIMATE WEIGHTS

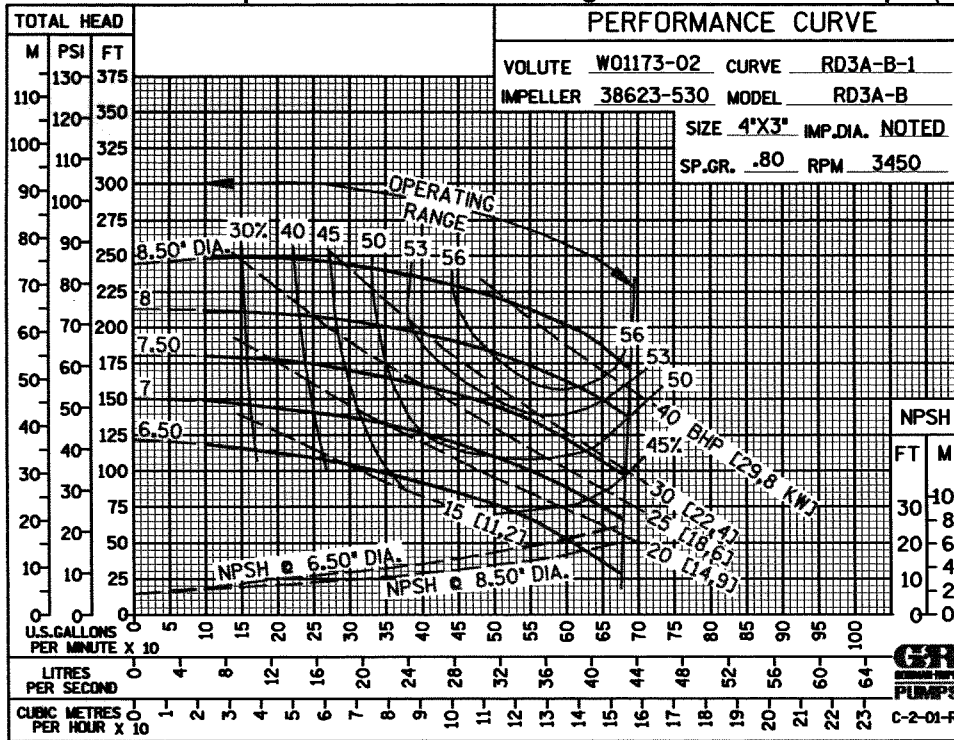
RD3A31-B

RD3A32-B

PUMP NET WEIGHT: 238 LBS. (108 KG.) 243 LBS. (110,2 KG.)
SHIPPING NET WEIGHT: 253 LBS. (114,8 KG.) 258 LBS. (117 KG.)
EXPORT CRATE SIZE: 12.8 CU. FT. (0,36 CU. M.)



Air Release Valve Required When Static Discharge Pressure Exceeds 8 psi (55 kPa).



THE GORMAN-RUPP COMPANY • MANSFIELD, OHIO

GORMAN-RUPP OF CANADA LIMITED • ST. THOMAS, ONTARIO, CANADA

Specifications Subject to Change Without Notice

Printed in U.S.A.