

Basic Pump

B



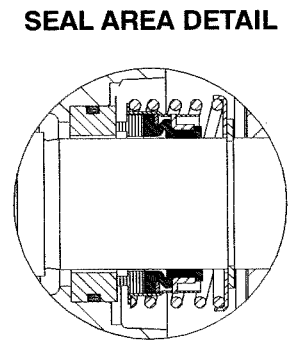
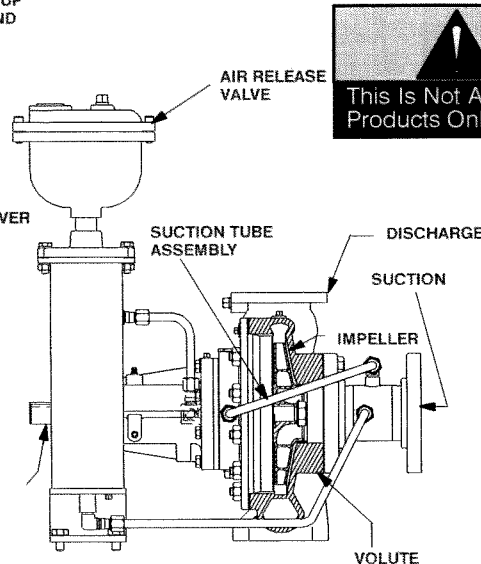
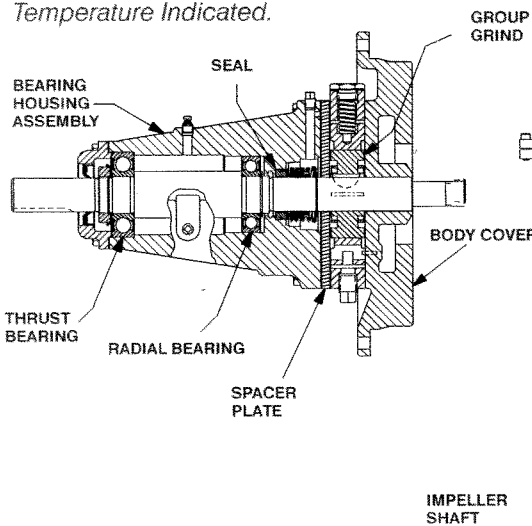
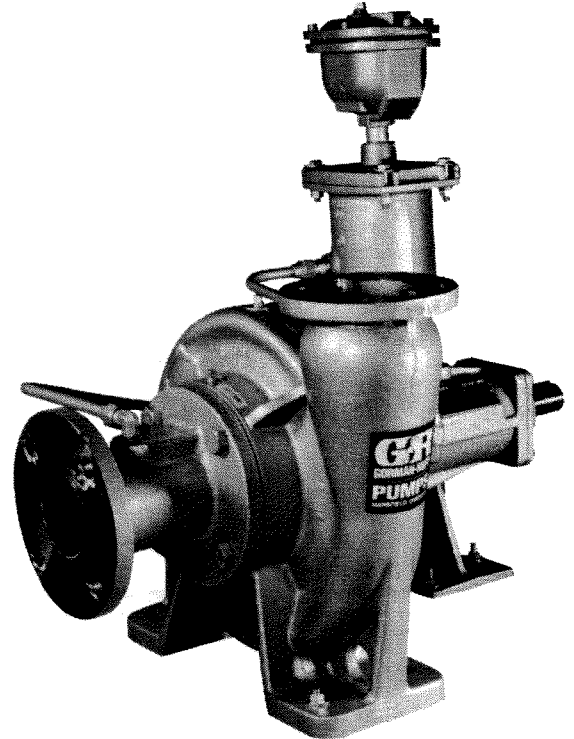
Self Priming Centrifugal Pump

Model RS2A31-BAR and RS2A32-BAR

Size 3" x 2"

PUMP SPECIFICATIONS

Size: 3" x 2" (76 x 51 mm) Flanged.
 Casing: (RS2A31-BAR) Ductile Iron 65-45-12.
 (RS2A32-BAR) Cast Steel 70-36.
 Maximum Operating Pressure 48 PSI (331 kPa).
 Enclosed Type, Four Vane Impeller: Aluminum 356-T6.
 Handles 1/4" (6,4 mm) Diameter Spherical Solids.
 Impeller Shaft: Steel 1045.
 Rotor: Copper Alloy C93200.
 Bearing Housing: Ductile Iron 65-45-12.
 Bearing Housing Lubrication: Grease.
 Body Cover: (RS2A31-BAR) Ductile Iron 65-45-12.
 (RS2A32-BAR) Cast Steel 70-36.
 Center/Spacer Plate: (RS2A31-BAR) Ductile Iron 65-45-12.
 (RS2A32-BAR) Cast Steel 70-36.
 Suction Spool Flange: Cast Steel 70-36.
 Radial Bearing: Permanently Sealed Single Row Ball Type.
 Thrust Bearing: Permanently Sealed Single Row Ball Type.
 Gaskets: Vegetable Fiber, PTFE and Cork.
 Priming: Rotary Vane Type Priming Pump.
 Air Release Valve : Cast Iron/Stainless Steel.
 Optional Equipment: Cast Steel 70-36 Threaded Suction and Discharge Companion Flange Kit, Copper Alloy C93700 Impeller, Group Grind with Cast Iron Rotor (RS2A31-BAR Only),Stainless Steel 416 Impeller Shaft, Buna-N Seal, PTFE Seal with Fluorocarbon O-Ring, PTFE Seal with Buna-N O-Ring, Oil Filled Bearing Housing Assembly.
 *Consult Factory for Applications Exceeding Maximum Pressure and/or Temperature Indicated.



CAUTION
 This Is Not A Water Pump. Use For Petroleum Products Only.

SEAL SPECIFICATIONS

Seal: Mechanical; Self-Lubricated. Fluorocarbon Elastomers (DuPont Viton® or Equivalent). Carbon Rotating Face; Ni-Resist Stationary Face; Maximum Temperature of Liquid Pumped is 160°F (71°C).*



THE GORMAN-RUPP COMPANY • MANSFIELD, OHIO
 GORMAN-RUPP OF CANADA LIMITED • ST. THOMAS, ONTARIO, CANADA

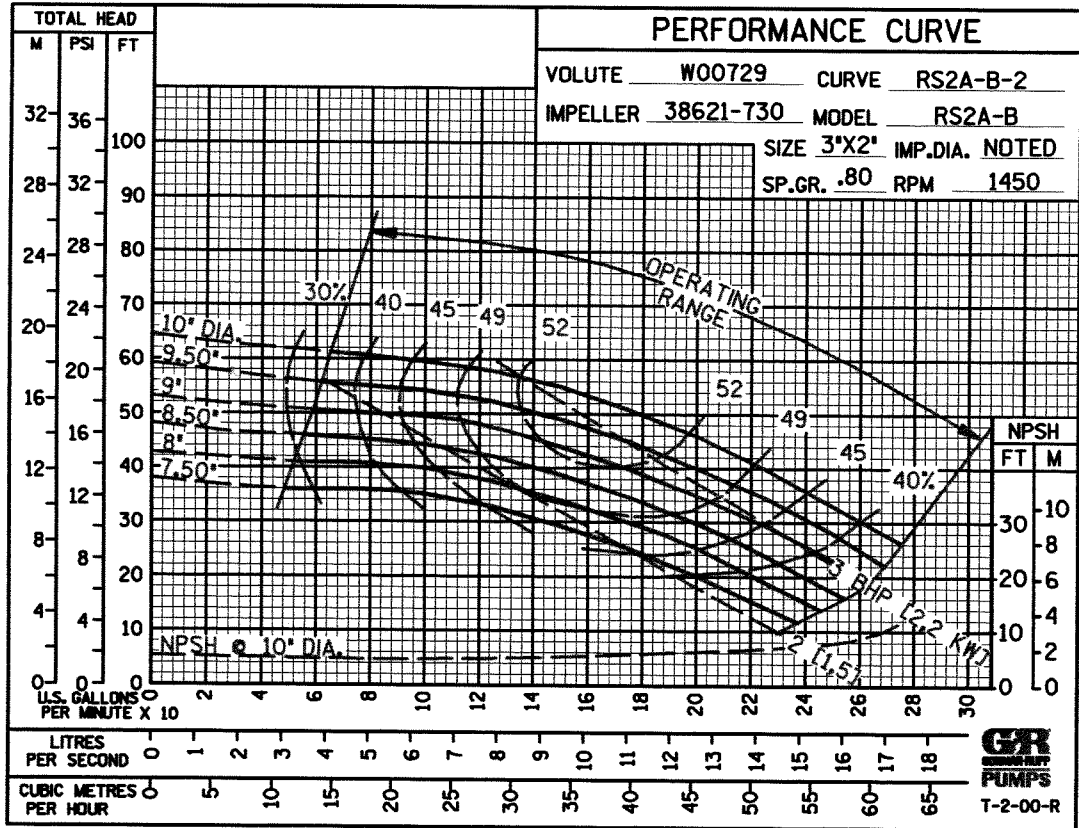
www.grpumps.com

Specifications Subject to Change Without Notice

Printed in U.S.A.

B

50 HERTZ



THE GORMAN-RUPP COMPANY • MANSFIELD, OHIO
 GORMAN-RUPP OF CANADA LIMITED • ST. THOMAS, ONTARIO, CANADA

Specifications Subject to Change Without Notice

Printed in U.S.A.