

B

Basic Pump



# Self Priming Centrifugal Pump

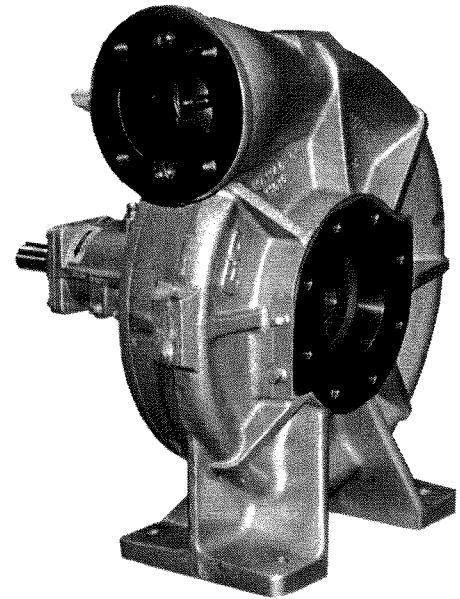
## Model RS3A31-B and RS3A32-B

### Size 4" x 3"

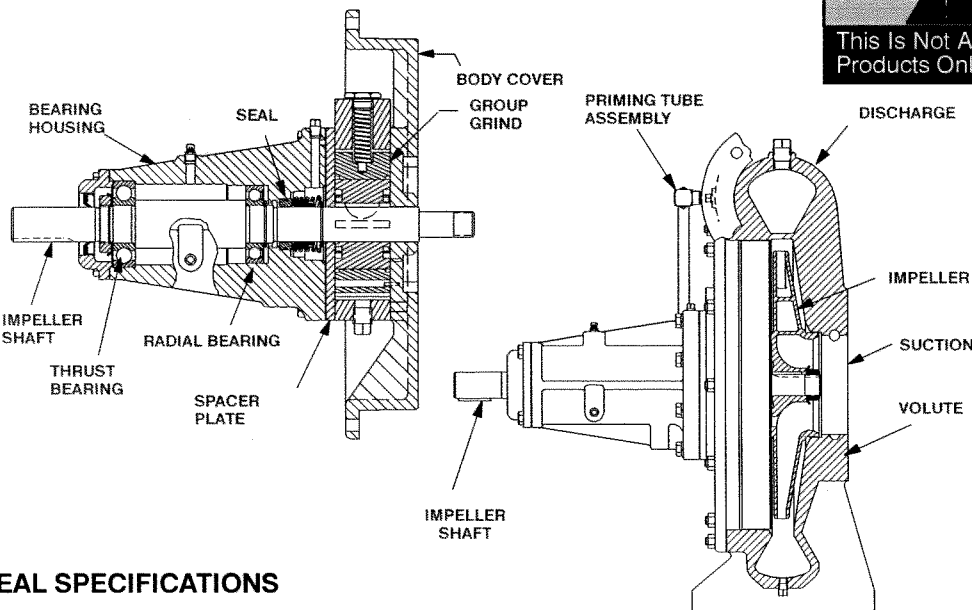
**PUMP SPECIFICATIONS**

Size: 4" x 3" (102 mm x 76 mm) Flanged.  
 Casing: (RS3A31-B) Ductile Iron No. 65-45-12.  
 (RS3A32-B) Cast Steel 70-36.  
 Maximum Operating Pressure 71 PSI (490 kPa).  
 Enclosed Type, Five Vane Impeller: Aluminum 356-T6.  
 Handles 3/8" (9,5 mm) Diameter Spherical Solids.  
 Impeller Shaft: Steel No. 1045.  
 Rotor: Copper Alloy C93400.  
 Bearing Housing: Ductile Iron No. 65-45-12.  
 Bearing Housing Lubrication: Grease.  
 Body Cover: (RS3A31-B) Ductile Iron No. 65-45-12.  
 (RS3A32-B) Cast Steel 70-36.  
 Center/Spacer Plate: (RS3A31-B) Ductile Iron No. 65-45-12.  
 (RS3A32-B) Cast Steel 70-36.  
 Radial Bearing: Permanently Sealed Single Row Ball Type.  
 Thrust Bearing: Permanently Sealed Single Row Ball Type.  
 Gaskets: Vegetable Fiber, PTFE and Cork.  
 Priming: Rotary Vane Type with Built-in Spring-Loaded Priming Assist Valve.  
 Optional Equipment: Cast Steel 70-36 Threaded Suction and Discharge Companion Flange Kit, Copper Alloy C93700 Impeller, Group Grind with Cast Iron Rotor (RS3A31-B Only), Stainless Steel No. 416 Impeller Shaft, Buna-N Seal, PTFE Seal with Fluorocarbon O-Ring, PTFE Seal with Buna-N O-Ring, Oil Filled Bearing Housing Assembly.

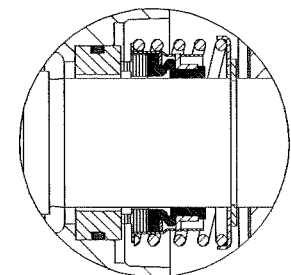
\*Consult Factory for Applications Exceeding Maximum Pressure and/or Temperature Indicated.



**CAUTION**  
 This Is Not A Water Pump. Use For Petroleum Products Only.



**SEAL AREA DETAIL**



**SEAL SPECIFICATIONS**

Seal: Mechanical; Self-Lubricated. Fluorocarbon Elastomers (DuPont Viton<sup>®</sup> or Equivalent), Carbon Rotating Face; Ni-Resist Stationary Face; Maximum Temperature of Liquid Pumped is 160°F (71°C).\*



THE GORMAN-RUPP COMPANY • MANSFIELD, OHIO

GORMAN-RUPP OF CANADA LIMITED • ST. THOMAS, ONTARIO, CANADA

www.grpumps.com

Specifications Subject to Change Without Notice

Printed in U.S.A.

**Specification Data**

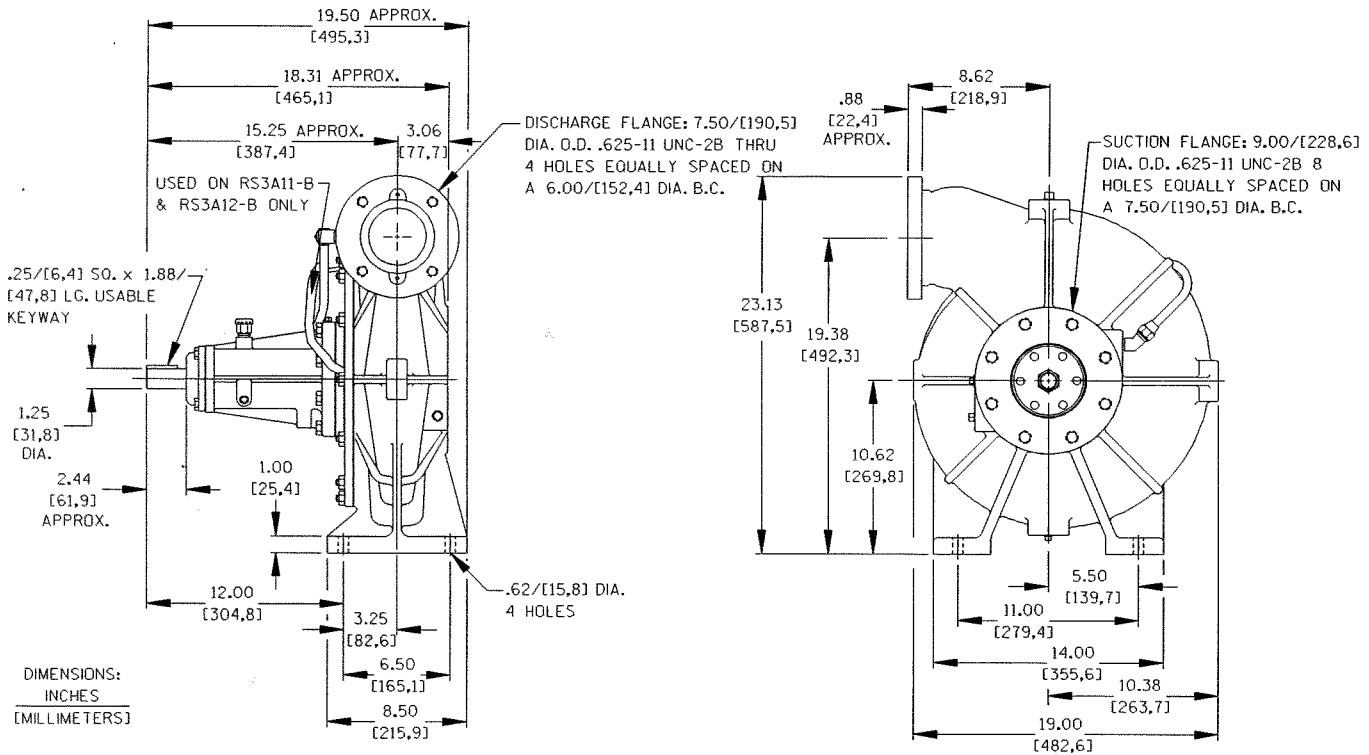
**SECTION 35, PAGE 300**

**OVERALL DIMENSIONS  
and  
APPROXIMATE WEIGHTS**

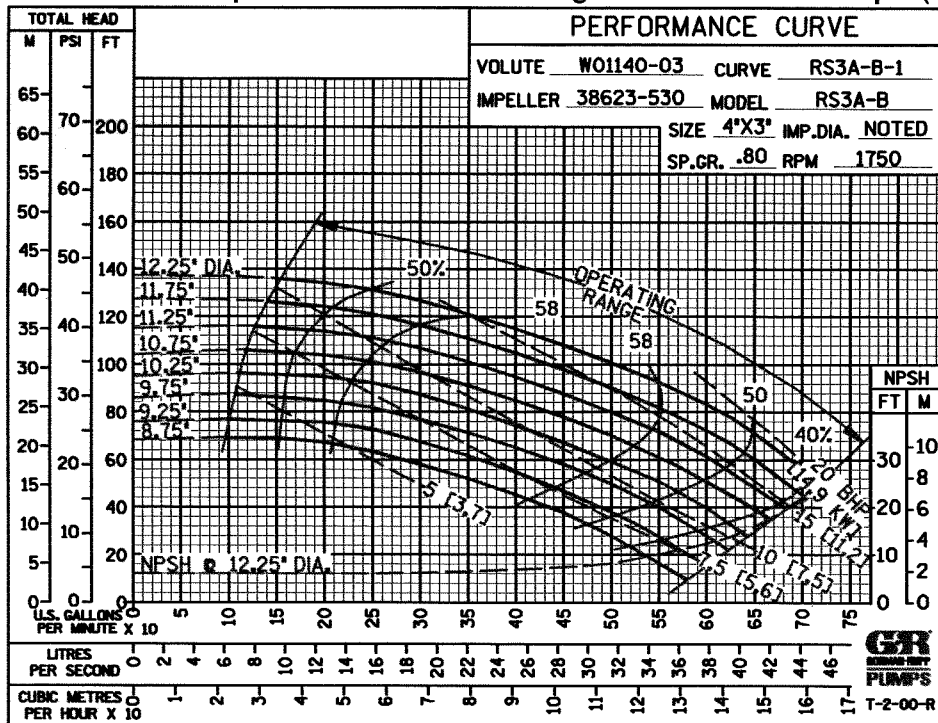
**RS3A31-B**

**RS3A32-B**

**PUMP NET WEIGHT:** 240 LBS. (108,9 KG.) 312 LBS. (141,5 KG.)  
**SHIPPING NET WEIGHT:** 254 LBS. (115,2 KG.) 332 LBS. (150,6 KG.)  
**EXPORT CRATE SIZE:** 12.8 CU. FT. (0,36 CU. M.)



**Air Release Valve Required When Static Discharge Pressure Exceeds 8 psi (55 kPa).**



**THE GORMAN-RUPP COMPANY • MANSFIELD, OHIO**

GORMAN-RUPP OF CANADA LIMITED • ST. THOMAS, ONTARIO, CANADA

Specifications Subject to Change Without Notice

Printed in U.S.A.